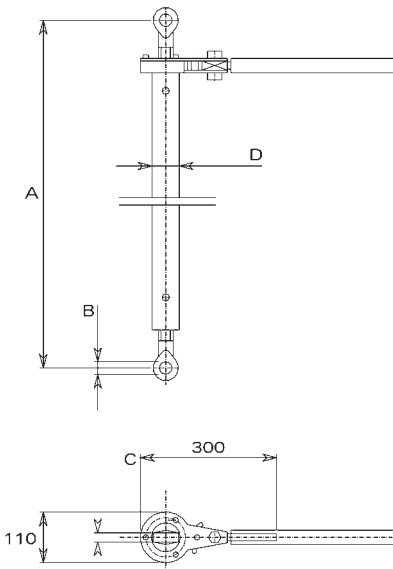


The ratchet turnbuckles are made of galvanised steel



| Model | Dimensions [mm] | | | | | Breaking load [kN] | Mass [kg] |
|---------|-----------------|--------|----|----|----|--------------------|-----------|
| | A min. | A max. | B | C | D | | |
| TCT 001 | 600 | 930 | 17 | 20 | 51 | 90 | 9 |
| TCT 010 | 670 | 1070 | 21 | 24 | 54 | 180 | 12 |
| TCT 020 | 964 | 1564 | 23 | 23 | 60 | 300 | 15 |
| TCT 030 | 1384 | 2404 | 23 | 23 | 60 | 300 | 22 |

TIRFOR TFX



The Tirfor units are designed to stretch or lift ropes, conductors or weights

| Model | Lifting capacity [kN] | Pulling capacity [kN] | Rope Ø [mm] | A [mm] | B [mm] | Breaking load [kN] | Mass [kg] |
|---------|-----------------------|-----------------------|-------------|--------|--------|--------------------|-----------|
| TFX 060 | 8 | 12.5 | 8.3 | 530 | 284 | 48 | 6.9 |
| TFX 070 | 16 | 25 | 11.5 | 558 | 315 | 96 | 13.5 |
| TFX 080 | 32 | 50 | 16.3 | 680 | 360 | 192 | 23.5 |

ROPE FOR TIRFOR TDF

| Model | Rope length [m] | Rope Ø [mm] | Breaking load [kN] |
|---------|-----------------|-------------|--------------------|
| TDF 001 | 10 | 8.3 | 48 |
| TDF 002 | 10 | 11.5 | 96 |
| TDF 003 | 10 | 16.3 | 192 |
| TDF 004 | 20 | 8.3 | 48 |
| TDF 005 | 20 | 11.5 | 96 |
| TDF 006 | 20 | 16.3 | 192 |
| TDF 007 | 30 | 8.3 | 48 |
| TDF 008 | 30 | 11.5 | 96 |
| TDF 009 | 30 | 16.3 | 192 |
| TDF 010 | 40 | 8.3 | 48 |
| TDF 011 | 40 | 11.5 | 96 |
| TDF 012 | 40 | 16.3 | 192 |